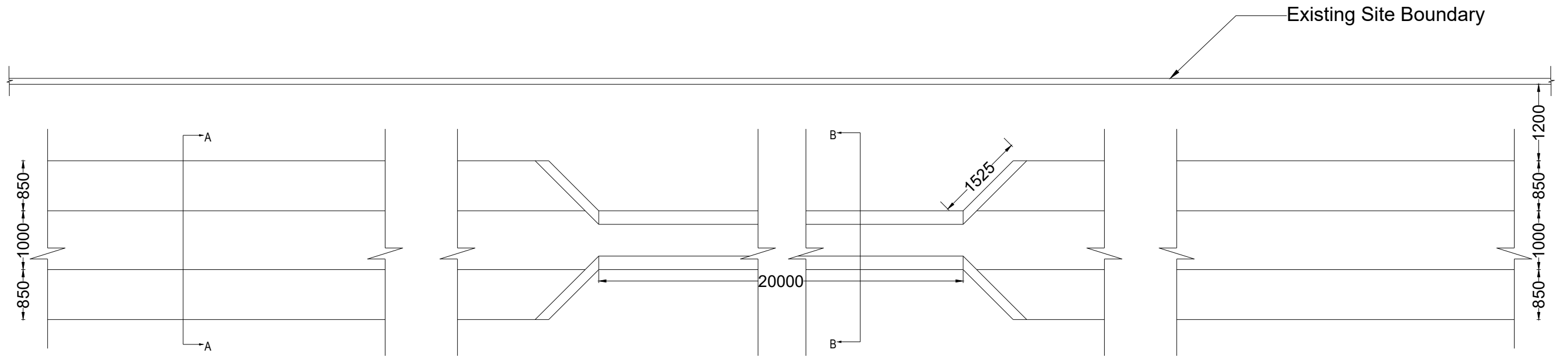
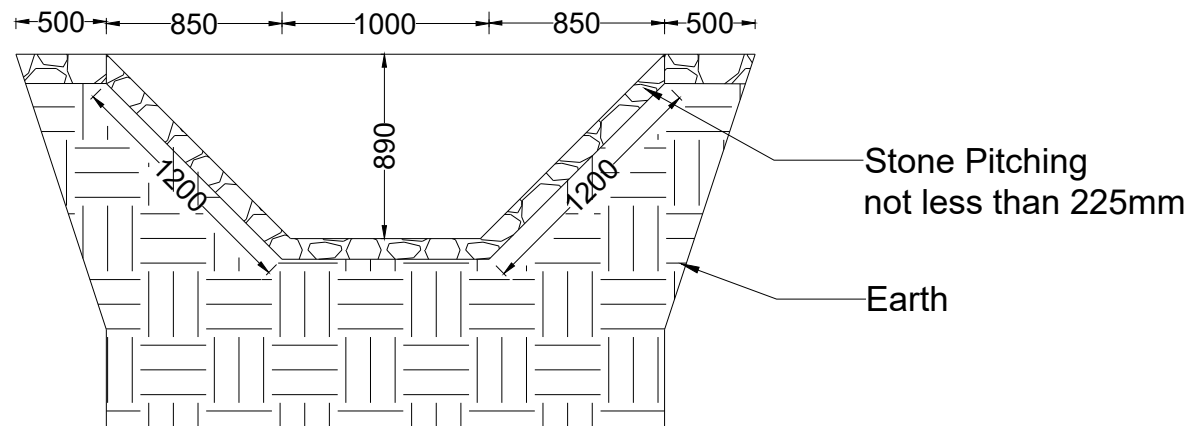


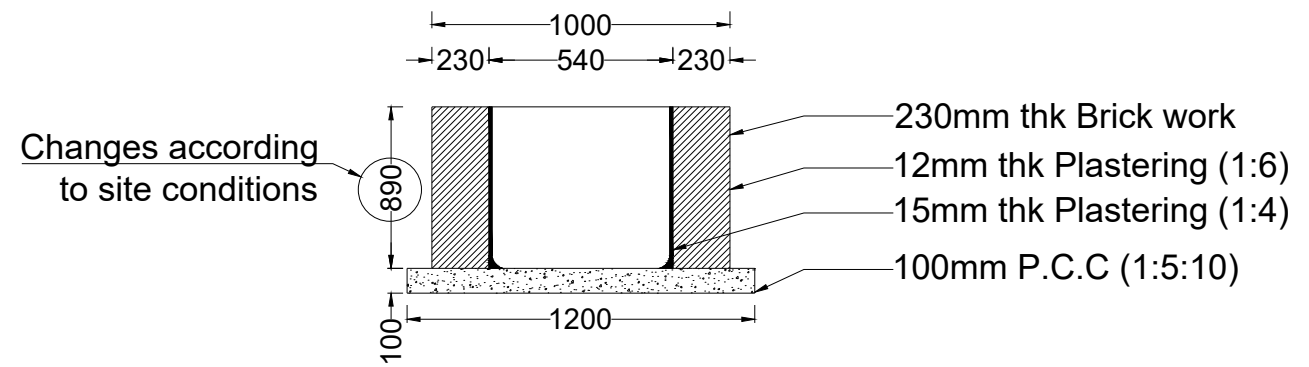
DRY STONE PITCHING ON SWALE (AROUND STP)



PLAN




SECTION @ A-A

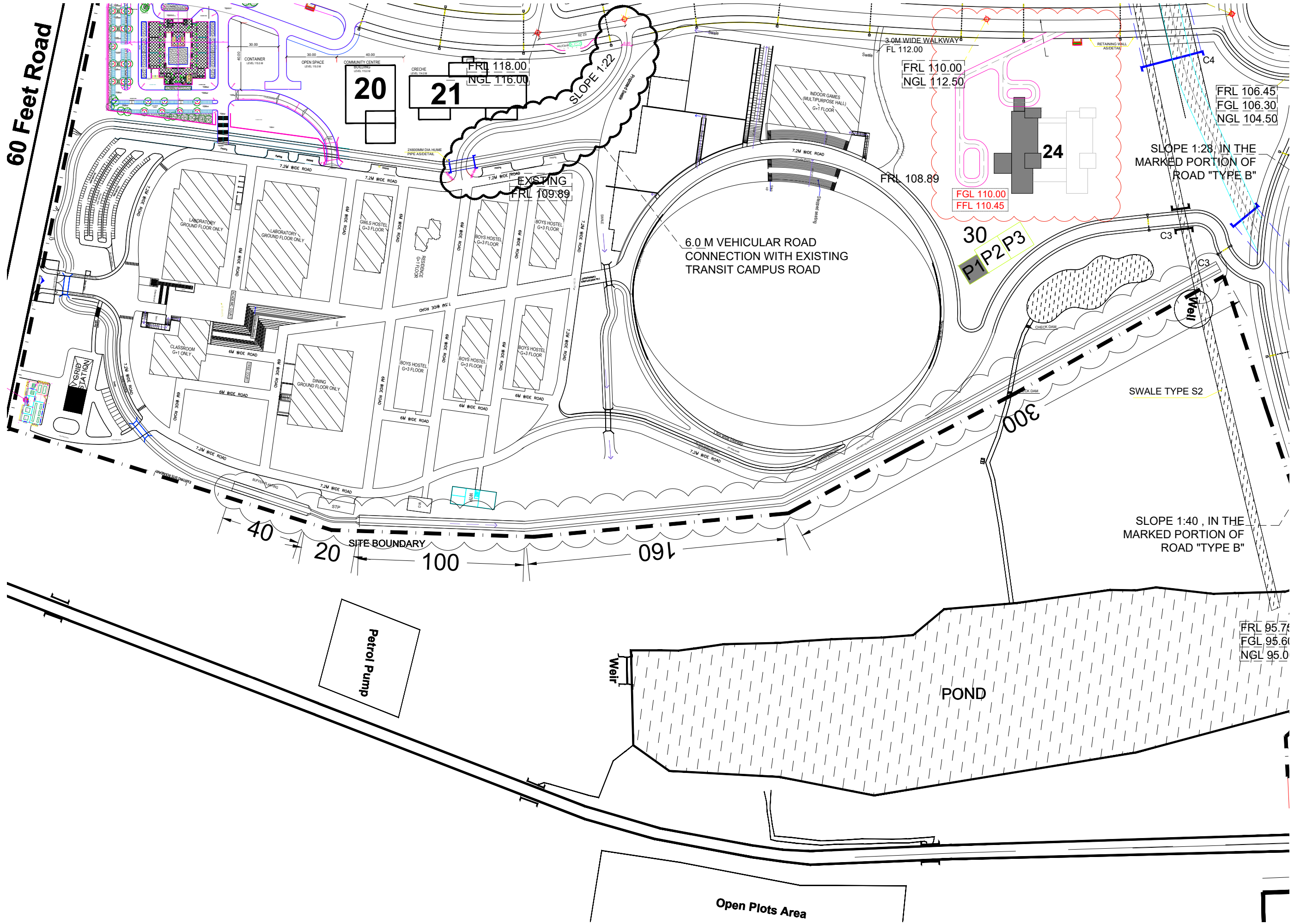


SECTION @ B-B

(ALL DIMENSIONS ARE IN MM)

 TIRUPATI	INDIAN INSTITUTE OF TECHNOLOGY, TIRUPATI YERPEDU, ANDHRA PRADESH - 517619.	
NAME OF THE WORK	DRY STONE PITCHING ON SWALE (AROUND STP)	
SCALE	1:2	
ISSUE DATE	04-02-2022	
DRAWN BY : S.ROHITH	CHECKED BY : S.MUTHU	APPROVED BY : A.SELVAN

60 Feet Road



20

21

24

30
P1P2P3

Petrol Pump

POND

Open Plots Area

EXISTING
FRL 109.89

SLOPE 1:22

3.0M WIDE WALKWAY
FL 112.00

FRL 110.00
NGL 112.50

FRL 106.45
FGL 106.30
NGL 104.50

SLOPE 1:28, IN THE
MARKED PORTION OF
ROAD "TYPE B"

FRL 108.89

FGL 110.00
FFL 110.45

SWALE TYPE S2

SLOPE 1:40, IN THE
MARKED PORTION OF
ROAD "TYPE B"

FRL 95.74
FGL 95.60
NGL 95.0

40 20 100 160
SITE BOUNDARY